

# OASIS® WATER COOLER MODELS POUE1SK, POUE1SHS, POU1SK, POU1SHS INSTRUCTIONS

## A. INSPECTION

Inspect the carton and water cooler for evidence of rough handling and concealed damage. Damage claims should be filed with the carrier.

## B. MAINTENANCE

1. Inspect the condenser for dirt and lint every three months. If cleaning is required, disconnect the power supply cord, then clean the condenser with a small stiff non-wire brush. Observance of this procedure will ensure adequate air circulation through the condenser for efficient and economical operation.
2. A cone shaped strainer can be found in the tube leading into the mechanical float valve on the reservoir cap. It can be removed and flushed clean. Be sure to replace it in the tube once cleaned.

## C. OVERLOAD PROTECTION

The compressor motor is equipped with an automatic reset protector, which will disconnect the motor from the line in case of an overload.

## D. LUBRICATION

This unit is equipped with a hermetically sealed compressor, which does not require any additional lubrication.

## E. HOT TANK THERMOSTATS

ON HOT MODELS, THE HOT TANK THERMOSTATS ARE NOT DESIGNED TO OPERATE WET. AN ELECTRICAL FAULT MAY OCCUR IF THE THERMOSTATS ARE WETTED.

1. Do not steam or wet clean in the thermostat area.
2. All minor water spills must be wiped up immediately after installing or removing the mechanical float lid assembly onto the cooler.
3. Where major water spills or leaks have occurred (internal components have gotten wet), do not operate the hot tank until it is assured that the thermostats have had a chance to dry out (a 48 hour period is sufficient) or that the thermostat(s) have been replaced.

## F. TO PUT WATER COOLER INTO SERVICE

1. The water cooler should be located a minimum of 2" (51mm) from the wall to assure adequate condenser air circulation.
2. If filter(s) are to be added, follow filter manufacturer's recommended instructions.
3. Connect blue tube to cold water supply line at the back of the cooler.
4. **WARNING: A pressure regulator, such as a Slow Flow regulator, must be installed in front of the unit's water inlet if the water pressure (including any possible pressure spikes) could exceed 100psig (690kpg).**
5. Turn on water supply to cooler.
6. Check the available power supply against the water cooler data plate to assure correct electrical service. Plug power supply cord into receptacle.
7. **CAUTION: On models with a hot tank, the hot tank switch must be in the "OFF" position. Switch is mounted at the rear of the cooler on the condenser.**
8. After the reservoir is full, check all connections for leaks.
9. Open each faucet until water flows freely.
10. On models with a hot tank, turn on the hot tank by depressing the switch toward the "RESET" position.
11. **CAUTION: Failure to fill hot tank with water before turning on the hot tank can cause physical damage to the unit.**
12. **CAUTION: WATER FROM HOT FAUCET CAN SCALD.**

## G. SAFETY FLOAT

The cooler is equipped with a safety float to prevent overfilling in case the fill float fails. If the fill float should fail, the safety float will be activated as the water level rises. When the safety float is activated, water flow to the reservoir will be shut off. Press the blue reset button about half way down on the reservoir cap until you hear the water flow restart, then call your service representative. **CAUTION: A hard impact or jarring of the unit while it is filling may trip the safety float.**

## H. TO DISCONTINUE USE OF WATER COOLER

1. On models with a hot tank, place hot tank switch in the "OFF" position. Draw water from hot faucet until water is cool.
2. Disconnect power supply cord.
3. Shut off water supply to cooler.
4. Drain reservoir through cold faucet.
5. On models with a hot tank, drain tank by placing a container under black drain valve located on the condenser. Turn drain valve counter clockwise to open, and catch water in container. OR, for convenience, insert one end of a 3/8" OD tube into the opening of the drain valve and the other into a container and drain. Close drain valve when the tank is empty.
6. **ALWAYS DRAIN ALL WATER WHEN FREEZING TEMPERATURES ARE ANTICIPATED OR BEFORE SHIPPING THE WATER COOLER.**

## J. SANITIZING INSTRUCTIONS

If sanitizing is required, a solution can be made by adding ½ teaspoonful of household bleach to one (1) gallon of water or 2 ml of household bleach to 3 L of water. **DO NOT** use a stronger sanitizing solution. Wash the cooling tank and baffle in the solution. Rinse immediately. **DO NOT** allow sanitizing solution to remain in the cooling tank more than 5 minutes. On hot models, **DO NOT** allow sanitizing solution to enter hot tank; plug inlet to hot tank. Dispense solution through cold faucet and cook faucet if so equipped. Rinse through faucet(s) with clean water. Remove plug from hot tank water inlet. Drain hot tank and flush with clean water.

## K. ALTERNATE FAUCETS

A safer faucet that deters accidental dispensing of water by toddlers is available. This new faucet is simple and easy to use with one hand yet it adds a new measure of protection to your water cooler. See your dealer for details.

### WARNING

The warranty for this machine is automatically void if any alteration, modification, or combination with any other machine or device is deemed to be the source of any claim. The Underwriters' Laboratory Listing and CSA's Certification may be void as the result of any alteration or modification. The manufacturer accepts no liability resulting from any alteration, modification, or combination with any other machine or device. The manufacturer is not responsible for damage caused by the plumbing connection or improper installation.

EXCEPT AS SET FORTH HEREIN, THE MANUFACTURER MAKES NO OTHER WARRANTY, GUARANTEE OR AGREEMENT EXPRESSED, IMPLIED OR STATUTORY, INCLUDING ANY IMPLIED WARRANTY OR MERCHANTABILITY OR FITNESS FOR A PARTICULAR PURPOSE.

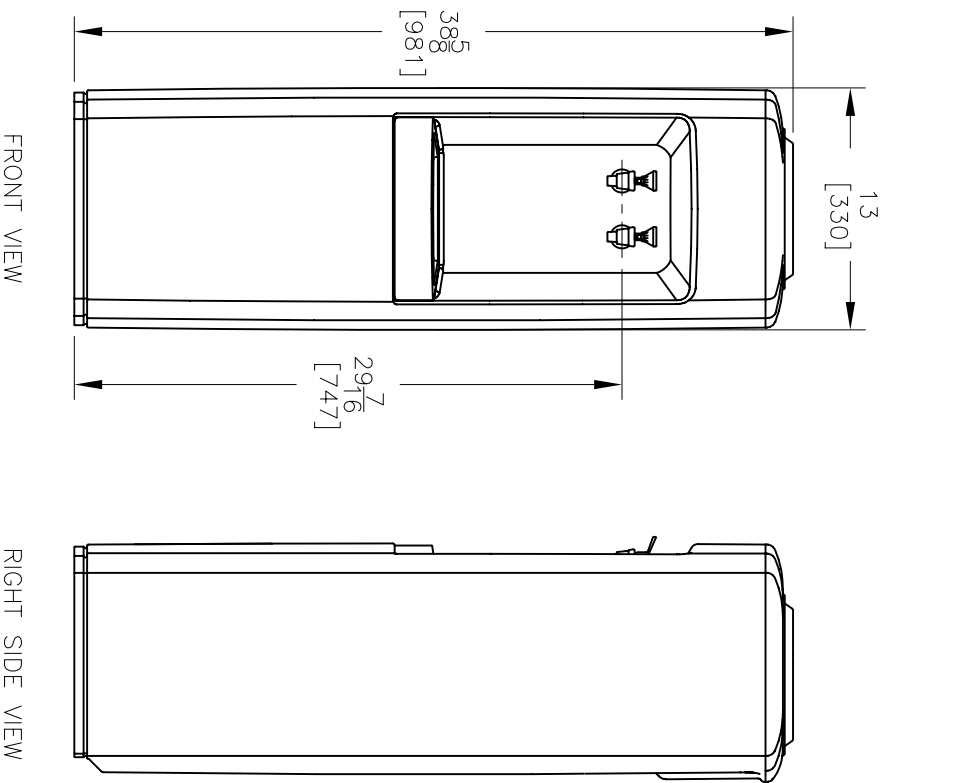


222 East Campus View Blvd. • Columbus, OH 43235 U.S.A.

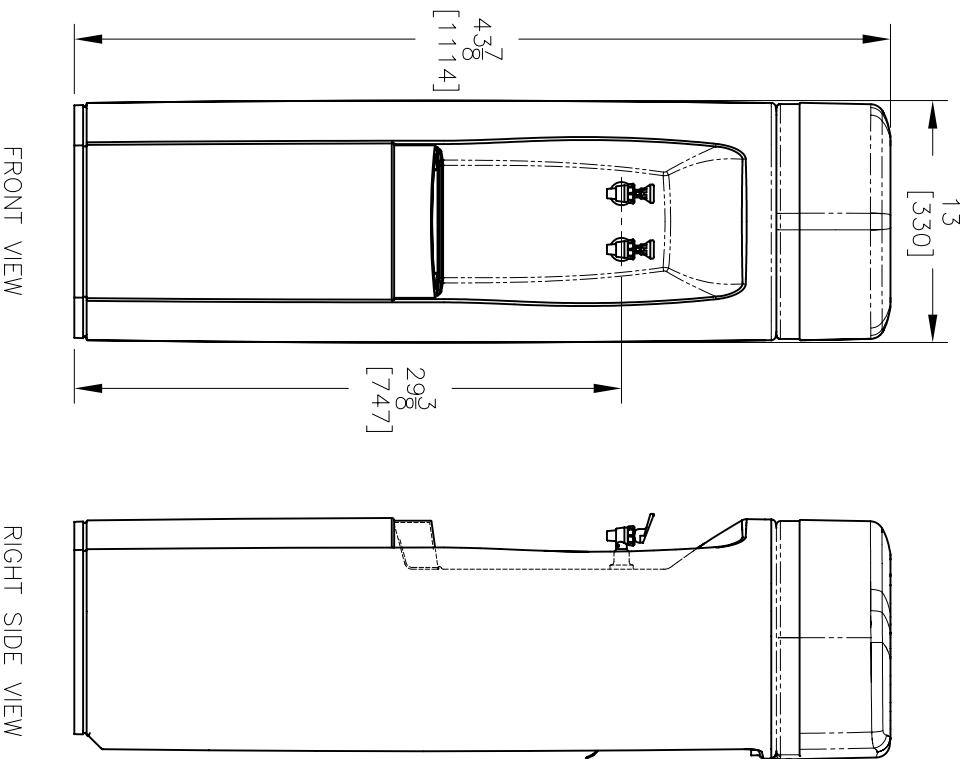
1-800-950-3226

www.oasiscoolers.com

**OASIS® WATER COOLER MODELS  
POUE1SK, POUE1SHS, POU1DISK, POU1DISHS**



POUE1SK  
POUE1SHS

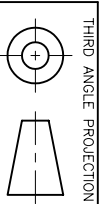


POU1DISK  
POU1DISHS

**ELECTRICAL CONNECTIONS:**

115V MODELS – NEMA 5-15P, 3 PRONG POWER SUPPLY CORD  
220-240V MODELS – IEC 320 POWER INLET

ALL DIMENSIONS ARE IN INCHES.  
DIMENSIONS IN BRACKETS [ ] ARE IN MILLIMETERS.



ROUGHING-IN  
AND  
DIMENSIONAL DRAWING

# WATER COOLER MODELS

## BPA1SK, BPA1SHS, BPI1SK, BPI1SHS, BPD1SK, BPD1SHS, BPO1SK, BPO1SHS

### INSTRUCTIONS

#### 1. INSPECTION

Inspect the carton and water cooler for evidence of rough handling and concealed damage. Damage claims should be filed with the carrier.

#### 2. MAINTENANCE

Periodically remove dirt and lint from the black wire and tube condenser on the back of the cooler. Disconnect the power supply cord, then clean with the small brush attachment of a vacuum cleaner. Observance of this procedure will insure adequate air circulation so operation is efficient and economical.

#### 3. OVERLOAD PROTECTION

The compressor motor is equipped with an automatic reset protector which will disconnect the motor from the line in case of an overload.

#### 4. HOT TANK THERMOSTATS

ON HOT MODELS, THE HOT TANK THERMOSTATS ARE NOT DESIGNED TO OPERATE WET. AN ELECTRICAL FAULT MAY OCCUR IF THE THERMOSTATS ARE WETTED.

- a) Do not steam or wet clean in the thermostat area.
- b) All minor water spills must be wiped up immediately after loading or unloading bottle onto or from the cooler.
- c) Where major water spills or leaks have occurred, (internal components have gotten wet) do not operate the hot tank until it is assured that the thermostats have had a chance to dry out (a 48 hour period is sufficient) or that the thermostat(s) have been replaced.

#### 5. LUBRICATION

This unit is equipped with a hermetically sealed compressor and requires no additional lubrication.

#### 6. TO PUT WATER COOLER INTO SERVICE

- a) Cold & Cook Models
  - 1) Invert water bottle on top of cooler.
  - 2) Draw water from faucet(s). Allow about 30 minutes for water to chill after cooler is plugged in.
- b) Hot Models
  - 1) Invert water bottle on top of cooler.
  - 2) Open hot faucet until water flows freely.
  - 3) Place the hot tank heater switch in the "ON" (reset) position.

**CAUTION: ON MODELS WITH HOT TANK, FAILURE TO FILL HOT TANK WITH WATER BEFORE TURNING ON HOT TANK HEATER SWITCH, CAN CAUSE PHYSICAL DAMAGE TO THE UNIT.**

- c) Check the available power supply against the water cooler data plate to assure correct electrical service. Plug power supply cord into receptacle.
- d) Allow cooler to operate about 30 minutes for chilled and hot water dispensing.

**CAUTION: WATER FROM HOT FAUCET CAN SCALD.**

- e) DO NOT operate the hot tank with either of the baffle parts removed from the cold tank; water from the inverted water bottle may overflow onto the floor. Also, electrical consumption will increase.
- f) **ALTERNATE FAUCETS:** A safer faucet that deters accidental dispensing of water by toddlers is available. This new faucet is simple and easy to use with one hand, yet it adds a new measure of protection to your water cooler. See your dealer for details.

#### 7. TO DISCONTINUE USE OF WATER COOLER

- a) Disconnect power supply cord.
- b) Remove water bottle from cooler.
- c) Open faucet(s) to drain water.
- d) Hot Models: Place the hot water heater in the "OFF" position ("O" on rocker is depressed). Draw water from the hot faucet until the water is cool. The drain tube has a black valve located on the condenser, place a container under the drain. For convenience, insert a 4" (102mm) length of 3/8" O.D. plastic tube into the opening at the end of the black valve and turn the petcock or simply turn the valve's petcock without the tube in order to open the drain. Turn the drain valve to a closed position when tank is empty. Some models have a white cap that is removed to drain the tank.
- e) **ALWAYS DRAIN ALL WATER WHEN FREEZING TEMPERATURES ARE ANTICIPATED AND BEFORE SHIPPING THE WATER COOLER.**

#### 8. SANITIZING INSTRUCTIONS

If sanitizing is required, a solution can be made by adding 1/2 teaspoonful of household bleach to one (1) gallon of water or 2 ml of household bleach to 3 L of water. **DO NOT** use a stronger sanitizing solution. Wash the cooling tank and baffle in the solution. Rinse immediately. **DO NOT** allow sanitizing solution to remain in the cooling tank more than 5 minutes. On hot models, **DO NOT** allow sanitizing solution to enter hot tank; plug inlet to hot tank. Dispense solution through cold faucet and cook faucet if so equipped. Rinse through faucet(s) with clean water. Remove plug from hot tank water inlet. Drain hot tank and flush with clean water.

#### WARNING

The warranty and the Underwriters' Laboratories listing for this machine are automatically voided if this machine is altered, modified, or combined with any other machine or device. Alteration or modification of this machine may cause serious flooding and/or hazardous electrical shock or fire.

EXCEPT AS SET FORTH HEREIN, THE MANUFACTURER MAKES NO OTHER WARRANTY, GUARANTEE OR AGREEMENT EXPRESSED, IMPLIED OR STATUTORY, INCLUDING ANY IMPLIED WARRANTY OR MERCHANTABILITY OR FITNESS FOR A PARTICULAR PURPOSE.

**Enfriadores de Agua Modelos  
BPA1SK, BPA1SHS, BPI1SK, BPI1SHS,  
BPD1SK, BPD1SHS, BPO1SK, BPO1SHS  
Instrucciones**

**1. Inspección**

Revise el cartón y el enfriador buscando evidencia de maltrato en el transporte y/o daño oculto. Reclamos por daños deberá hacerse al transportista.

**2. Mantenimiento**

Periódicamente quite polvo y pelusa del cable negro y del tubo condensador en la parte posterior del enfriador. Desconecte el tomacorriente, y luego limpie con un cepillo o accesorio de una aspiradora. Observar este procedimiento asegurará una adecuada circulación de aire para que la operación sea eficiente y económica.

**3. Protección contra sobre carga**

El moto-compresor está equipado con un protector térmico de reinicio automático el cual desconectará el moto-compresor de la línea en caso de una sobre carga.

**4. Termostatos del tanque caliente**

EN MODELOS CON VALVULA CALIENTE, LOS TERMOSTATOS DEL TANQUE CALIENTE NO ESTÁN DISEÑADOS PARA OPERAR MOJADOS. UNA FALLA ELÉCTRICA PUEDE OCURRIR SI LOS TERMOSTATOS SON MOJADOS.

**5. Lubricación**

Esta unidad está equipada con un moto-compresor herméticamente sellado y no requiere de lubricación adicional.

**6. Para poner a funcionar el enfriador**

a) Modelos Fría y Temperatura Ambiente

- 1) Coloque el botellón de agua invertido en la parte superior del enfriador.
- 2) Saque agua de las válvulas.
- 3) Conecte el tomacorriente del enfriador en el enchufe.
- 4) Espere 30 minutos para que el agua se enfríe una vez que el enfriador sea conectado.

b) Modelos Caliente y Fría

- 1) Coloque el botellón de agua invertido en la parte superior del enfriador
- 2) Abra la válvula de agua caliente hasta que fluya libremente.
- 3) Coloque el interruptor del calentador del tanque caliente en posición "ON" (Reset).
- 4) Conecte el tomacorriente del enfriador en el enchufe.

**PRECAUCIÓN: EN MODELOS CON TANQUE CALIENTE, EL NO PONER AGUA EN EL TANQUE CALIENTE ANTES DE ENCENDER EL INTERRUPTOR DEL CALENTADOR DEL TANQUE CALIENTE, PUEDE CAUSAR DAÑO FÍSICO A LA UNIDAD.**

- c) Revise el suministro de voltaje en su localidad contra lo estipulado en la placa de datos del enfriador para asegurar servicio eléctrico correcto.
- d) Permita al enfriador operar 30 minutos antes de tomar agua caliente o fría.  
Precaución: Agua de la válvula caliente puede escaldar.
- e) No opere el tanque caliente con cualquiera de los deflectores removidos del tanque frío; agua del botellón invertido puede tirarse al suelo. También, el consumo eléctrico aumentara.
- f) Válvulas Alternas: Una válvula que evita la toma accidental de agua por niños se encuentra disponible. Esta nueva válvula es simple y fácil de operar con una mano, pero le da una medida de protección a su enfriador. Vea a su distribuidor para mas detalles.

## **7. Para discontinuar el uso del enfriador de agua.**

- a) Desconecte el tomacorriente.
- b) Quite el botellón del enfriador.
- c) Abra la(s) válvula(s) para drenar el agua.
- d) Modelos con válvula Caliente: Ponga el calentador de agua caliente en posición "OFF" (Se aplana la "O" en la palanca). Drene agua de la válvula caliente hasta que el agua este fresca. El tubo de dren tiene una válvula negra localizada en el condensador, coloque un contenedor debajo del dren. Para su conveniencia, inserte un pedazo de tubo de plástico de 4 pulgadas de longitud con un diámetro exterior de 3/8 de pulgada en la apertura del final de la válvula negra y de vuelta al grifo o simplemente de vuelta al grifo sin el tubo para abrir el dren. De vuelta a la válvula del dren a la posición de cerrado cuando el tanque esté vacío. Algunos modelos tienen una tapa blanca que se retira para drenar el tanque.
- e) SIEMPRE DRENE TODA EL AGUA CUANDO SE ANTICIPAN TEMPERATURAS AMBIENTE DE CONGELACIÓN O ANTES DE EMBARCAR EL ENFRIADOR.

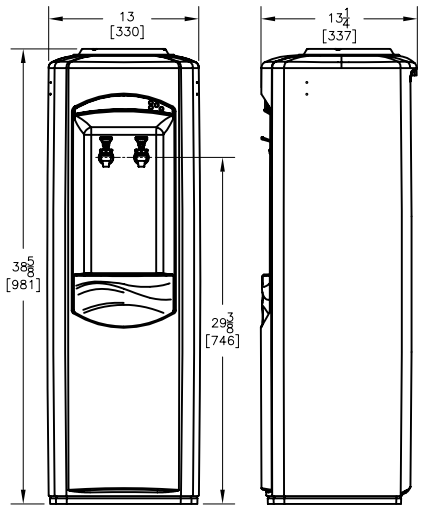
## **8. Instrucciones de Higiene**

Si se requiere higienizar, una solución puede hacerse al agregar media cucharada de blanqueador a 3 litros de agua. NO UTILIZE una solución higienizada mas fuerte. Lave el enfriador y deflector en la solución. NO PERMITA que la solución higienizada se quede en el tanque de enfriamiento mas de 5 minutos. En modelos calientes, NO PERMITA que la solución higienizada entre al tanque caliente; conecte la entrada al tanque caliente. Pase la solución a través de la válvula fría y la válvula ambiente si así está equipada. Enjuague la(s) válvula(s) con agua caliente. Quite el tapón de la entrada del tanque de agua caliente. Drene el tanque caliente y enjuague con agua limpia.

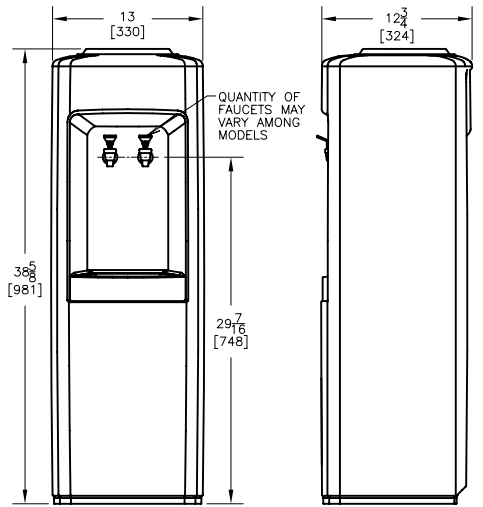
### **Aviso**

La garantía y el enlistado ante Underwriters Laboratories para este aparato son completamente anulados si este aparato es alterado, modificado o combinado con algun otro aparato o artefacto. Alteracion o modificacion de este aparato puede causar inundacion seria y/o descarga electrica o fuego.

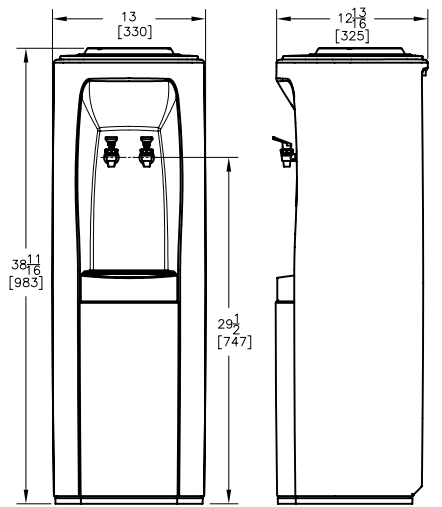
Ademas de lo aqui senalado, el fabricante no ofrece ninguna otra garantia, o acuerdo expreso, denotado o estatutario, incluyendo cualquier garantia denotada o negociabilidad o aptitud para cualquier proposito.



FRONT VIEW      RIGHT SIDE VIEW



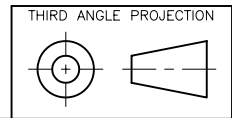
FRONT VIEW      RIGHT SIDE VIEW



FRONT VIEW      RIGHT SIDE VIEW

ELECTRICAL CONNECTIONS:  
 115V MODELS – NEMA 5-15P, 3 PRONG POWER SUPPLY CORD  
 220-240V MODELS – IEC 320 POWER INLET

ALL DIMENSIONS ARE IN INCHES.  
 DIMENSIONS IN BRACKETS [ ] ARE IN MILLIMETERS.



ROUGHING-IN  
 AND  
 DIMENSIONAL DRAWING



222 East Campus View Blvd. • Columbus, OH 43235 U.S.A.  
 1-800-950-3226  
 www.oasiscoolers.com