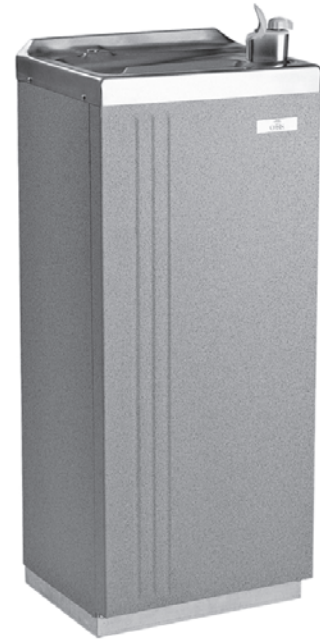




OASIS INTERNATIONAL



WATER-COOLED

PLF16FAW

Suggested Specification

These special purpose coolers feature water-cooled condenser, not air-cooled and are designed for installations where high room temperatures and/or dust conditions are present. Maintenance is reduced in dusty atmospheres since condenser coil can not clog. Cabinet finish shall be Sandstone powder coated paint on galvanized steel. Cooling system shall use R-134a refrigerant. Shall be listed by Underwriters' Laboratories to U.S. and Canadian standards and conform to European Union Directives.

Model

PLF16FAW delivers 15.5 gph of chilled drinking water.

Standard Features

- > Waterways are Lead-Free in Materials & Construction
- > Dial-A-Drink® Bubbler
- > Stainless Steel Top
- > Heavy-Gauge Galvanized Structural Steel Frame
- > High-Efficiency Cooling Tank and Coil
- > Internal Air-Gap Provided on Water-Cooled Condenser Water Outlet
- > Refrigerant R-134a
- > Limited 5-year Warranty

Finishes

- > Standard Cabinet Finish: Sandstone powder coat paint on galvanized steel.

Installation

- > Prior to roughing-in consult with local, state, and federal codes
- > Shipped with complete instructions

Accessories

- Glass Filler - Push Handle (029603-004)
- Glass Filler - Push Back (029603-005)
- Glass Filler - Push Down (029603-005)
- Kit 029440-001 is required for Field Installation for the above glass fillers
- Foot pedal operated

Limited 5-Year Warranty (Continental limits of the United States and Canada): Five years on the sealed refrigeration system and most components parts. Detailed warranty certificate enclosed with each water cooler; sample copy available upon request.

Export Warranty:

One year on sealed refrigeration system and most components parts. Detailed warranty certificate enclosed with each drinking fountain; sample copy available upon request.

Models covered by this specification comply with all known Plumbing Codes. Listed by Underwriters' Laboratories to U.S. and Canadian standard.

Components in this fountain are lead free as defined by the Safe Drinking Water Act Amendments of 1986, and the Lead Contamination Control Act of 1988.

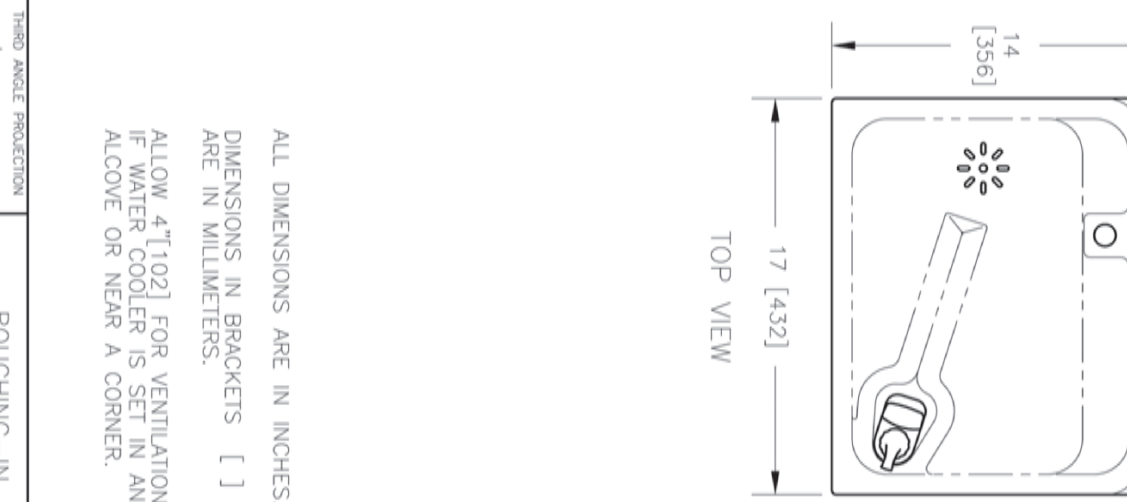
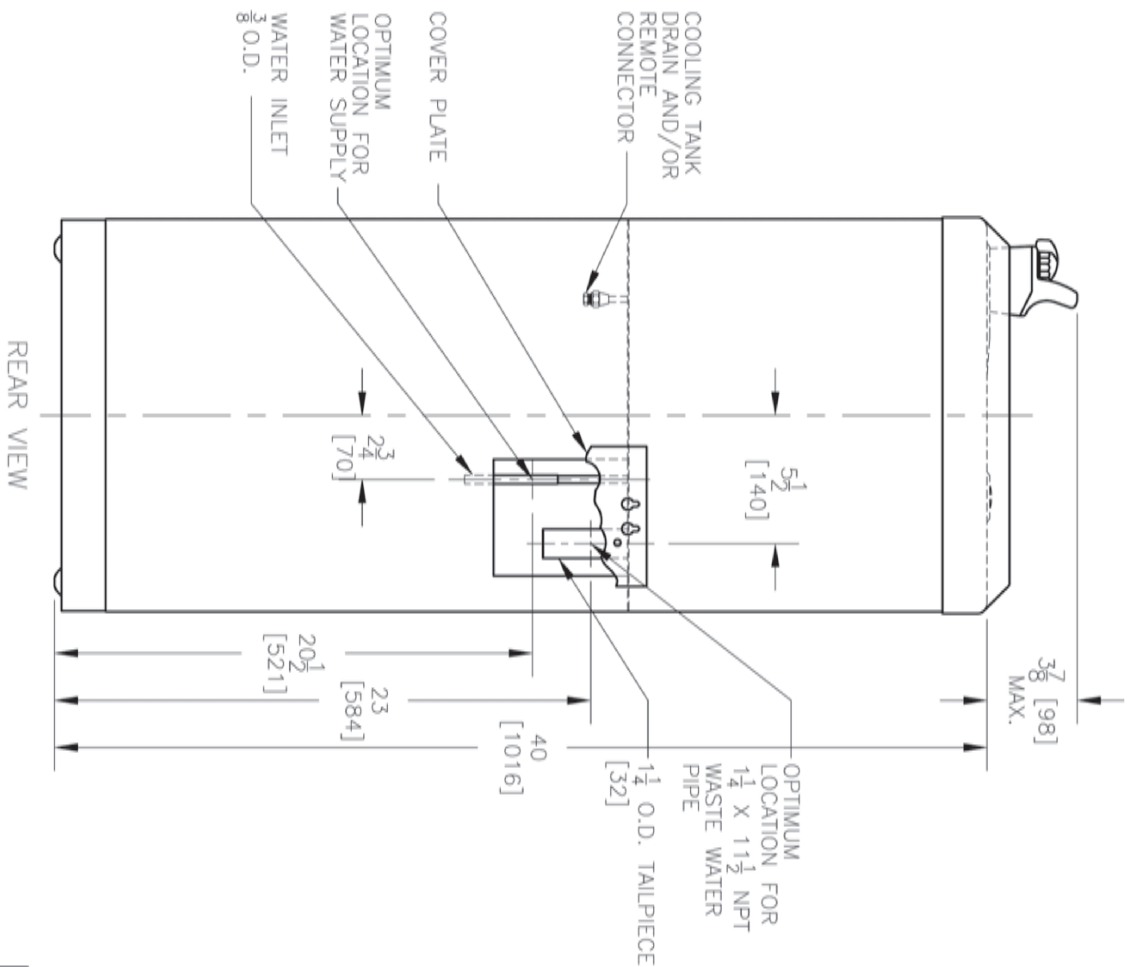
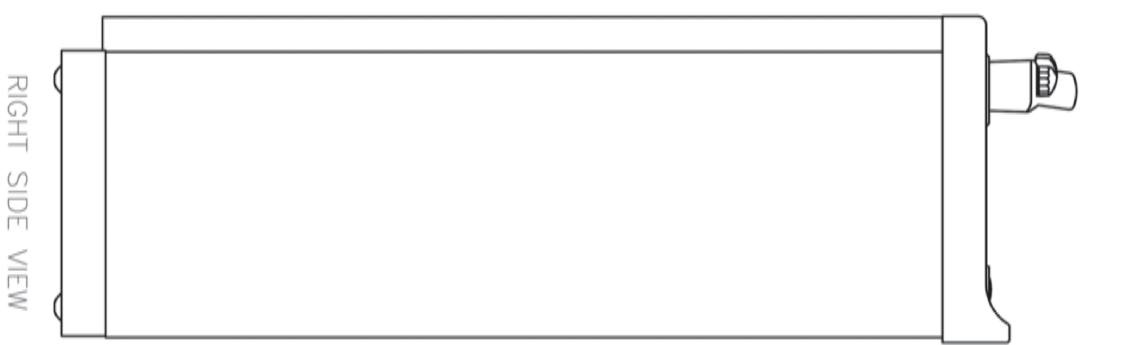


Model	50° F Drinking Water 90° F Ambient Air Temp*				115 Volts, 60 HZ			Glass Filler Acc. Option	Cabinet Color Finish	Net Wt. Approx.
	Rated Capacity GPH	Base Rate GPH	Pre-Cooler	Hot'N Cold™ Model**	Compr. HP	Full Load Amps	Rated Watts			
PLF16FAW	15.5	8.4	Yes	No	1/3	5.2	600	Yes	Yes	97 Lbs.

*Industry Standard Rating Condition 80° F inlet water temperature.

Specifications subject to change without notice

OASIS® FREE-STANDING WATER COOLER MODEL PLF16FAW



THIRD ANGLE PROJECTION

ROUGHING-IN AND DIMENSIONAL DRAWING

ALL DIMENSIONS ARE IN INCHES. DIMENSIONS IN BRACKETS [] ARE IN MILLIMETERS.

ALLOW 4" [102] FOR VENTILATION IF WATER COOLER IS SET IN AN ALCOVE OR NEAR A CORNER.