



OASIS INTERNATIONAL



HAZARDOUS DUTY

P16FAWHDCP

Suggested Specification

These special purpose coolers feature water-cooled condensers and are designed for installations where water cooler operating efficiency must be maintained under extreme environmental conditions and for use where hazardous atmospheres are present. All controls and wiring are sealed in Underwriters' Laboratories listed enclosure to prevent ignition in explosive atmospheres. Listed by Underwriters' Laboratories under Electrical Equipment for Hazardous Locations in the following classes and groups: Flammable Gases or Vapors, Class I, Groups C and D, Div. 1; Combustible Dust, Class II, Groups E, F and G, Div. 2; and Ignitable Fibers and Flyings, Class III, which are described in detail in articles 500-4, 500-5, and 500-6 of the National Electric Code.

Model

P16FAWHDCP delivers 15.5 gph of chilled drinking water and is designed for hazardous duty. This model is corrosion resistant and has a stainless steel cabinet, frame, base parts and fasteners. Special protective coating is applied to compressor, condenser, cooling tank, pre-cooler, water drain and interconnecting water and refrigeration lines.

Standard Features

- > Waterways are Lead-Free in Materials & Construction
- > Dial-A-Drink® Bubbler
- > Stainless Steel Top
- > Heavy-Gauge Galvanized Structural Steel Frame
- > High-Efficiency Cooling Tank and Coil
- > Internal Air-Gap Provided on Water-Cooled Condenser Water Outlet
- > Refrigerant R-134a
- > Limited 5-year Warranty

Finishes

- > Standard Cabinet Finish: Stainless Steel

Accessories

- Glass Filler - Push Handle (029603-004)
- Glass Filler - Push Back (029603-005)
- Glass Filler - Push Down (029603-005)
- Kit 029440-001 is required for Field Installation for the above glass fillers

Limited 5-Year Warranty (Continental limits of the United States and Canada): Five years on the sealed refrigeration system and most components parts. Detailed warranty certificate enclosed with each water cooler; sample copy available upon request.

Export Warranty: One year on sealed refrigeration system and most parts. Detailed warranty certificate enclosed with each water cooler; sample copy available upon request.

Models covered by this specification comply with all known Plumbing Codes. Listed by Underwriters' Laboratories to U.S. and Canadian standard.

Components in this fountain are lead free as defined by the Safe Drinking Water Act Amendments of 1986, and the Lead Contamination Control Act of 1988.

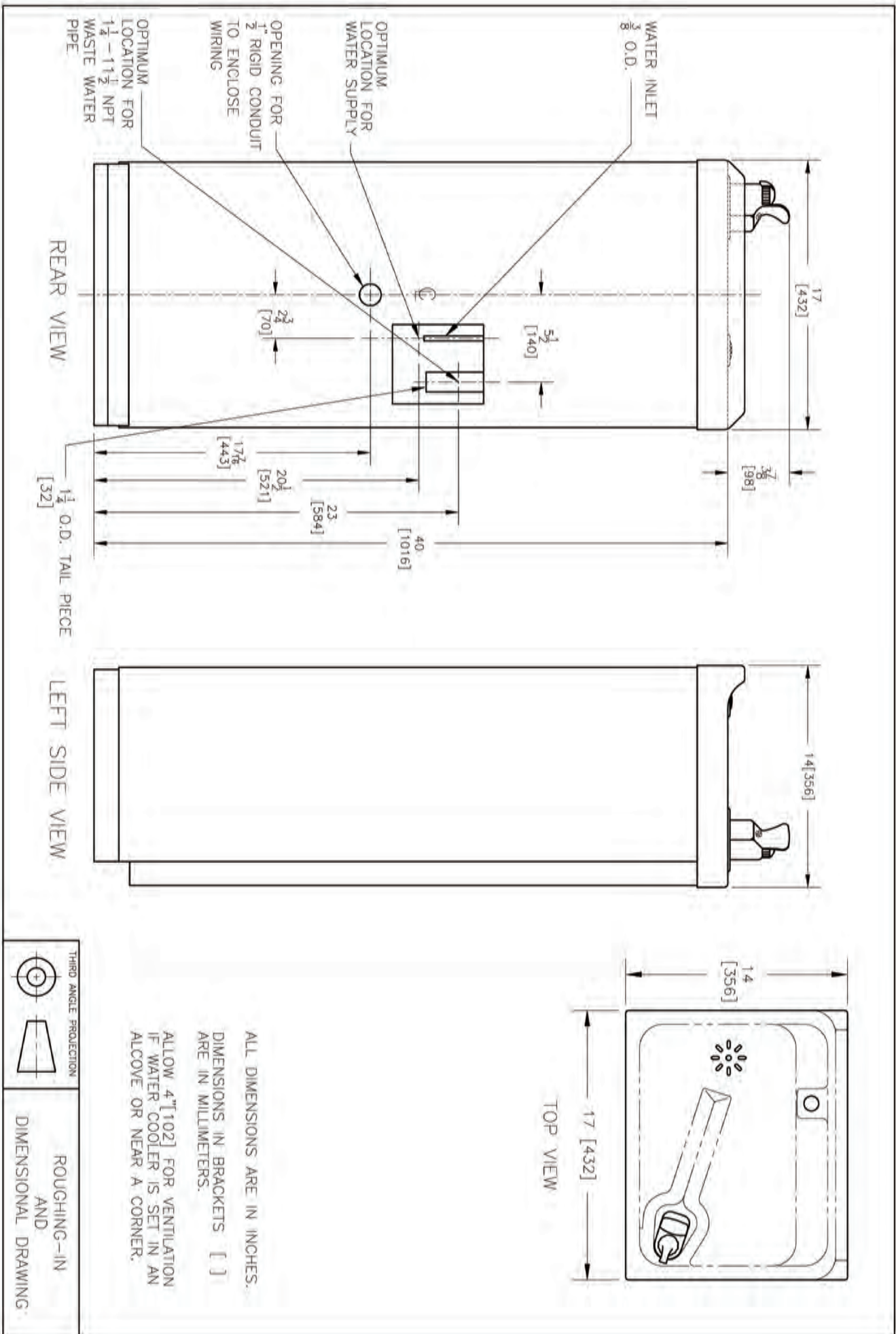


Model	50° F Drinking Water 90° F Ambient Air Temp*				115 Volts, 60 HZ			Glass Filler Acc. Option	Cabinet Color Finish	Net Wt. Approx.
	Rated Capacity GPH	Base Rate GPH	Pre-Cooler	Hot'N Cold™ Model**	Compr. HP	Full Load Amps	Rated Watts			
P16FAWHDCP	15.5	8.4	Yes	No	1/3	5.2	600	Yes	Yes	97 Lbs.

*Industry Standard Rating Condition 80° F inlet water temperature.

Specifications subject to change without notice

OASIS® HAZARDOUS CONDITION WATER COOLER MODELS 16FAWHDCP



ALL DIMENSIONS ARE IN INCHES.
 DIMENSIONS IN BRACKETS []
 ARE IN MILLIMETERS.
 ALLOW 4" [102] FOR VENTILATION
 IF WATER COOLER IS SET IN AN
 ALCOVE OR NEAR A CORNER.

THIRD ANGLE PROJECTION	ROUGHING-IN AND DIMENSIONAL DRAWING
------------------------	-------------------------------------