



OASIS CORPORATION

265 N. Hamilton Road ♦ P.O. Box 13150
Columbus, Ohio 43213-0150 U.S.A.
1.800.64.OASIS (1.800.646.2747)
www.OasisWaterCoolers.com

OASIS® WATER COOLER MODELS PLFSM, PLF8SM, and PLF14SM INSTRUCTIONS

1. **INSPECTION** -- Inspect the carton and water cooler for evidence of rough handling and concealed damage. Damage claims should be filed with the carrier.
2. **MAINTENANCE** -- The only maintenance operation required is the removal of dirt and lint from the condenser. Inspection should be made at 3-month intervals. Disconnect the power supply cord, then clean the condenser with a small stiff non-wire brush when required. Observance of this procedure will insure adequate air circulation through the condenser so operation is efficient and economical.
3. **OVERLOAD PROTECTION** -- The compressor motor is equipped with an automatic reset protector which will disconnect the motor from the line in case of an overload.
4. **LUBRICATION** -- This unit is equipped with a hermetically sealed compressor and requires no additional lubrication. If the unit is equipped with a fan motor, having oil holes, it seldom needs oiling, but if required, a few drops of SAE 10 oil should be used.
5. **TO PUT WATER COOLER INTO SERVICE**
 - a. Locate and install plumbing and electrical service in accordance with the Roughing-In Drawing.
 - b. Install unit on the wall hanger.
 - c. Install a trap in the waste line and a shut-off valve in the water supply line. Internal waste line and trap should be wrapped with insulating tape to prevent sweating.
 - d. Use clean 3/8" OD copper tubing for water supply line. Wrap the male pipe threads with Teflon tape. Do not over-tighten. Damage to the cooler may result.
6. **INSTALL SHUT-OFF VALVE AND FLUSH BUILDING WATER SUPPLY LINE BEFORE INSTALLING UNIT.**
 - a. To fill the cold water tank, open the shut-off and bubbler valves. Deflect the stream from the bubbler and run water until stream is free of bubbles.
 - b. Rotate the fan blade by hand to see that it is free of obstructions.
 - c. Check the available power supply against the water cooler data plate to assure correct electrical service. Plug service cord into receptacle.
7. **TO DISCONTINUE USE OF WATER COOLER**
 - a. Remove the front panel.
 - b. Disconnect the power supply cord.
 - c. Close water shut-off valve.
 - d. Provide container to catch water and remove drain plug from tank.
 - e. Remove or open bubbler valve.
 - f. **ALWAYS DRAIN ALL WATER WHEN FREEZING TEMPERATURES ARE ANTICIPATED AND BEFORE SHIPPING THE WATER COOLER.**

WARNING

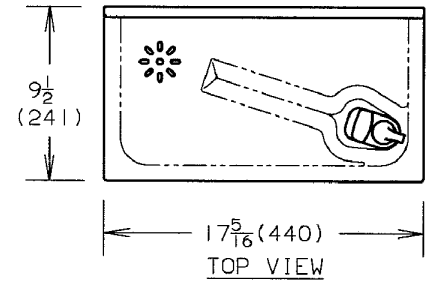
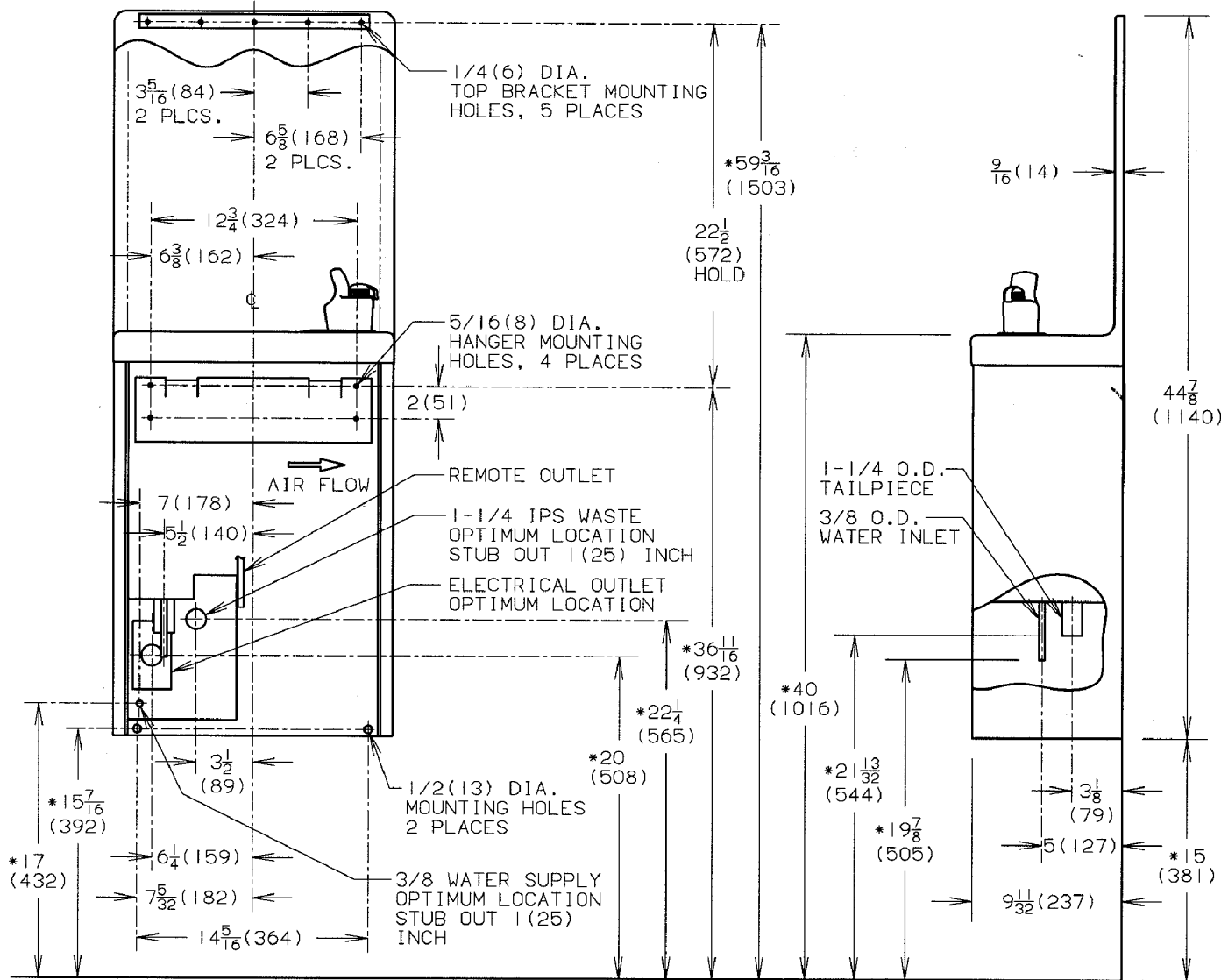
The warranty and the Underwriters' Laboratory listing for this machine is automatically voided if this machine is altered, modified, or combined with any other machine or device. Alteration or modification of this machine may cause serious flooding and/or hazardous electrical shock or fire.

EXCEPT AS SET FORTH HEREIN, THE MANUFACTURER MAKES NO OTHER WARRANTY, GUARANTEE OR AGREEMENT EXPRESSED, IMPLIED OR STATUTORY, INCLUDING ANY IMPLIED WARRANTY, MERCHANTABILITY, OR FITNESS FOR A PARTICULAR PURPOSE.

OASIS® is a registered trademark of OASIS Corporation
"Three Palms Design" is a registered trademark of OASIS Corporation

©Copyright 2000 OASIS Corporation

OASIS® WATER COOLER MODELS PLFSM, PLF8SM, and PLF14SM



NOTES:

1. TRAP, STOP VALVE AND ELECTRICAL OUTLET NOT FURNISHED.
2. ALLOW 4 INCHES (102 MM) MIN. PER SIDE FOR VENTILATION.
3. RECOMMENDED ADULT HEIGHT INSTALLATION SHOWN. ADJUST VERTICAL DIMENSIONS AS REQ'D TO COMPLY WITH FEDERAL, STATE, AND LOCAL CODES.
4. ALL DIMENSIONS ARE IN INCHES. DIMENSIONS IN PARENTHESES () ARE IN MILLIMETERS.

THIRD ANGLE PROJECTION	ROUGHING-IN AND DIMENSIONAL DRAWING