



OASIS CORPORATION

265 N. Hamilton Road ♦ P.O. Box 13150
Columbus, Ohio 43213-0150 U.S.A.
1.800.64.OASIS (1.800.646.2747)
www.OasisWaterCoolers.com

OASIS® WATER COOLER MODELS PLF8SK, PLF8SKP, PLF8SKPE, PLF8SKTP, PLFSK, PLFSKP, and PLFSKPE INSTRUCTIONS

1. **INSPECTION** -- Inspect the carton and water cooler for evidence of rough handling and concealed damage. Damage claims should be filed with the carrier.
2. **MAINTENANCE (Chilled Units Only)** -- The only maintenance operation required is the removal of dirt and lint from the condenser. Inspection should be done every three months. Disconnect the power supply cord, then clean the condenser with a small stiff non-wire brush when required. Observance of this procedure will ensure adequate air circulation through the condenser so operation is efficient and economical.
3. **OVERLOAD PROTECTION (Chilled Units Only)** -- The compressor motor is equipped with an automatic reset protector which will disconnect the motor from the line in case of an overload.
4. **LUBRICATION (Chilled Units Only)** -- This unit is equipped with a hermetically sealed compressor and requires no additional lubrication. The fan motor on this unit seldom needs oiling, but if required, a few drops of SAE 10 oil should be used.
5. **TO PUT WATER COOLER INTO SERVICE**
 - a. Locate and install plumbing and electrical service in accordance with the roughing-in drawing.
 - b. Install unit on the wall hanger.
 - c. Install a trap in the waste line and shut-off valve in the water supply line. When the unit has an internal waste trap, the trap should be wrapped with insulating tape to prevent sweating.
 - d. Use clean 3/8" OD copper tubing for water supply line. **INSTALL SHUT-OFF VALVE AND FLUSH BUILDING WATER SUPPLY LINE BEFORE INSTALLING UNIT.**
 - e. Rotate the fan blade (chilled units only) by hand to see that it is free of obstructions.
 - f. Check the available power supply against the water cooler data plate to assure correct electrical service. Plug power supply cord into wall outlet.
 - g. For chilled units: To fill the cold water tank, open the shut-off and bubbler valve. Deflect the stream from the bubbler and run water until stream is free of bubbles.
6. **TO DISCONTINUE USE OF WATER COOLER**
 - a. Close water shut-off valve.
 - b. Provide container to catch water to be drained.
 - c. Disconnect the power supply cord. Remove drain plug from tank.
 - d. On push-button model, disconnect the water supply line at the shut-off valve and remove the tank drain plug. Actuate and hold-in the push-button to open the solenoid valve and completely drain the cooler. Disconnect the power supply cord.
 - e. Remove or open the bubbler valve, and, if any, the glassfiller valve. Replace plug when draining is complete.

- f. **ALWAYS DRAIN ALL WATER WHEN FREEZING TEMPERATURES ARE ANTICIPATED AND BEFORE SHIPPING THE WATER COOLER.**

WARNING

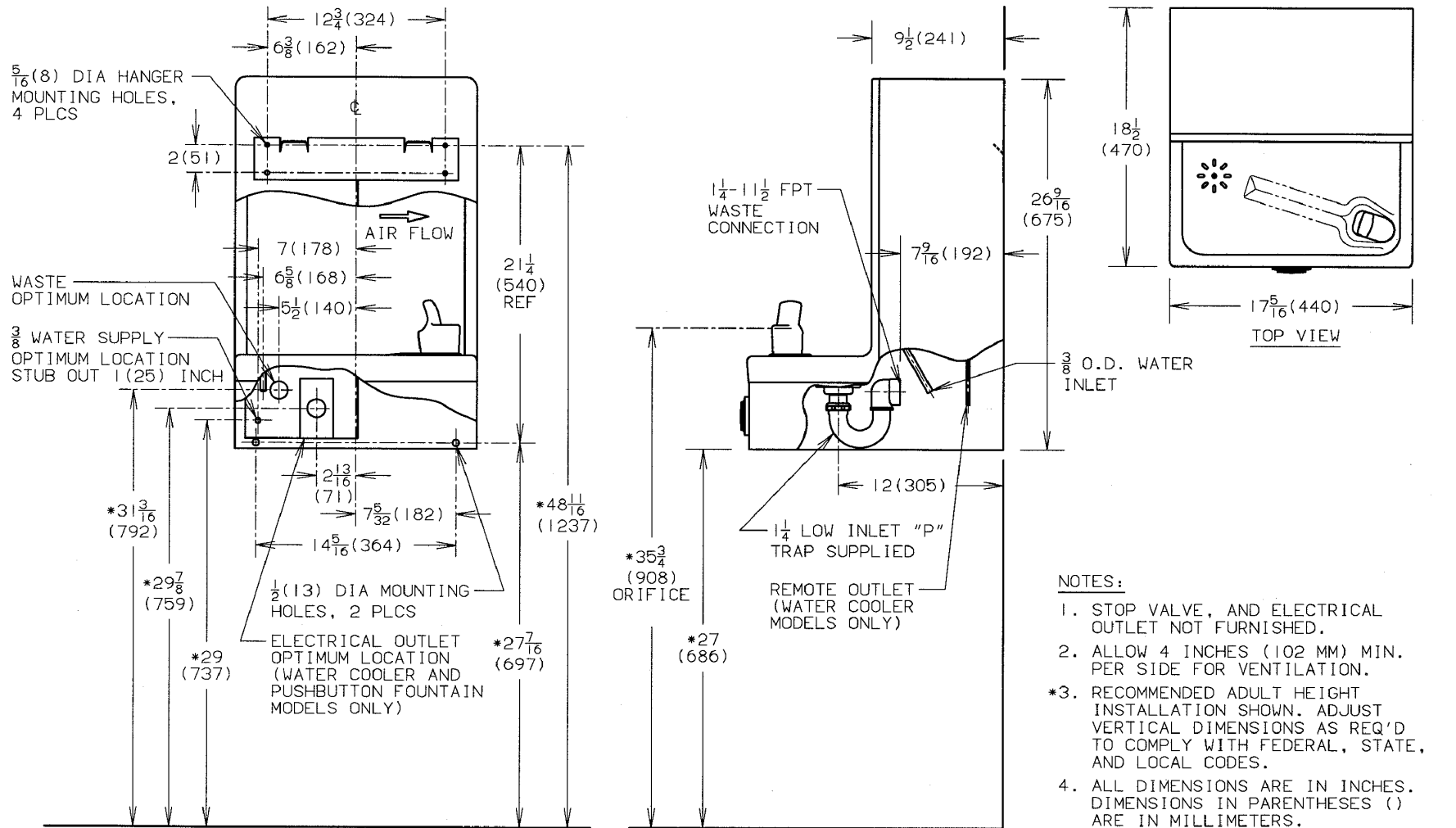
The warranty and the Underwriters' Laboratory Listing for this machine are automatically voided if this machine is altered, modified or combined with any other machine or device. Alteration or modification of this machine may cause serious flooding and/or hazardous electrical shock or fire.

EXCEPT AS SET FORTH HEREIN, THE MANUFACTURER MAKES NO OTHER WARRANTY, GUARANTEE OR AGREEMENT EXPRESSED, IMPLIED, OR STATUTORY, INCLUDING ANY IMPLIED WARRANTY OR MERCHANTABILITY OR FITNESS FOR A PARTICULAR PURPOSE.

OASIS® is a registered trademark of OASIS Corporation
"Three Palms Design" is a registered trademark of OASIS Corporation

©Copyright 2000 OASIS Corporation

OASIS® WATER COOLER MODELS PLF8SK, PLF8SKP, PLF8SKPE, PLF8SKTP, PLFSK, PLFSKP, and PLFSKPE



<p>THIRD ANGLE PROJECTION</p>	<p>ROUGHING-IN AND DIMENSIONAL DRAWING</p>
-------------------------------	--