



Water Coolers



DRINKING FOUNTAIN WHEELCHAIR

F140PM

Model

F140PM is a non-refrigerated stainless steel drinking fountain for direct connection to a cold water supply or for use with remote water chillers. When the fountain is properly installed, it allows your facility to comply with ADA requirements.

Standard Features

- > Waterways are Lead-Free in Materials & Construction
- > Extends 19" From Wall For Easy Access By Wheelchair Users
- > Single Mechanical Push-Button On Cabinet Front Keeps Water Flowing While Button Is Depressed
- > Built-in Pressure Regulator Assures Smooth, Steady Water Flow
- > Satin Finish Stainless Steel Surfaces
- > Tailpiece and "P" Trap
- > Bottom Cover Plate
- > Limited 1-Year Warranty

Finishes

- > Standard Cabinet Finish: Stainless Steel
- > Optional Cabinet Finish at extra cost: Regency Bronze

Installation

- > Prior to roughing-in, consult local, state and federal codes for proper mounting height.
- > Integral hanger bolts directly to the wall for rigid mounting, easy installation.
- > Shipped with complete instructions



Components in this fountain are lead free as defined by the Safe Drinking Water Act Amendments of 1986, and the Lead Contamination Control Act of 1988.

Limited 1-Year Warranty (Continental limits of the United States and Canada): One year from date of installation on parts only. Detailed warranty certificate enclosed with each drinking fountain; sample copy available upon request.

Export Warranty: One year on component parts. Detailed warranty certificate enclosed with each drinking fountain; sample copy available upon request.

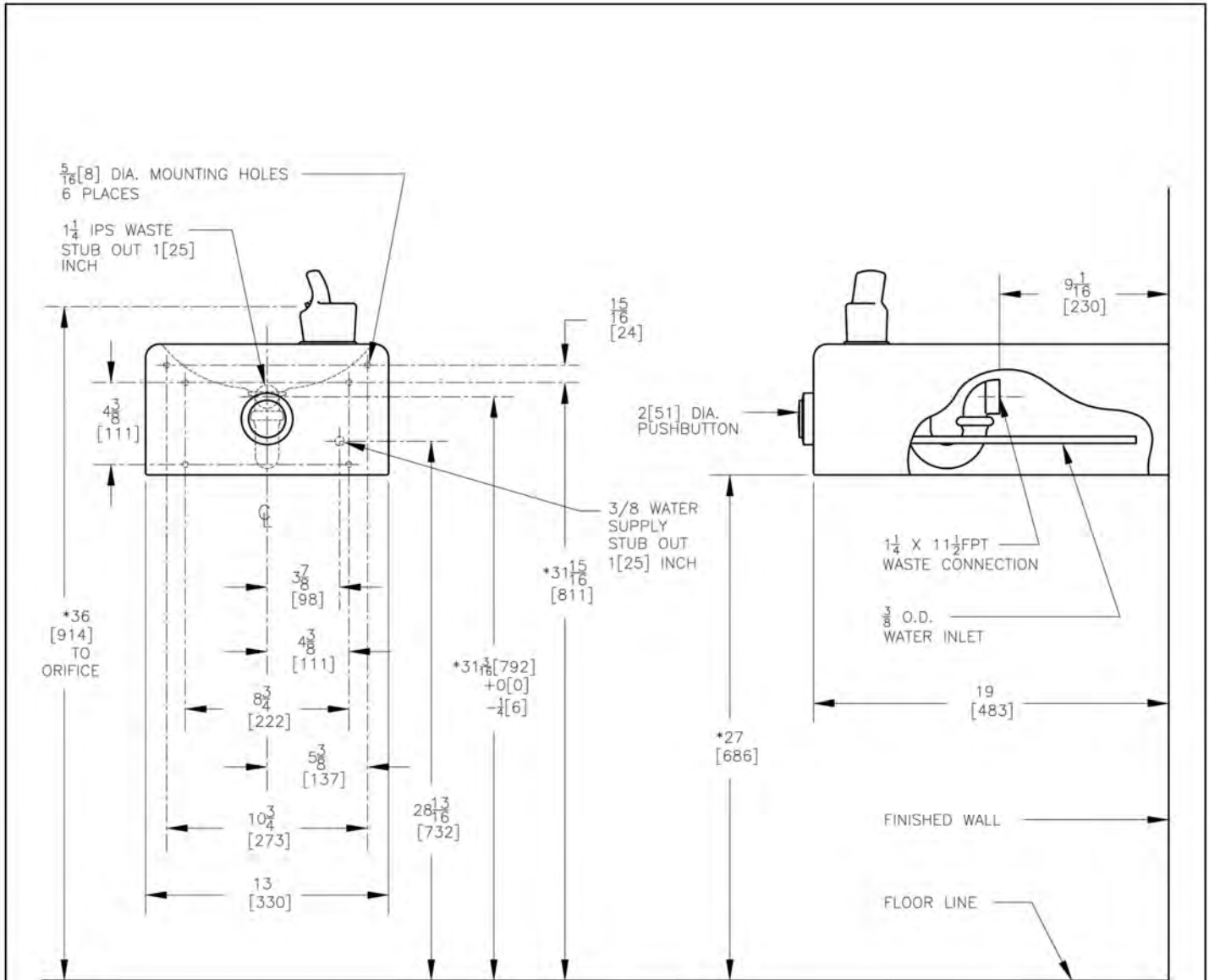
Models covered by this specification comply with all known Plumbing Codes. Certified to ANSI/NSF 61, Section 9. Listed by Underwriters' Laboratories to U.S. and Canadian standards.



Certified to NSF/ANSI 61/ Section 9

Physical Dimensions In Inches						
Model	Style	Height	Width	Depth	Extended From Wall	Net Weight Approx.
F140PM	Wheelchair	10 7/8"	13"	19"	19"	13 lbs.

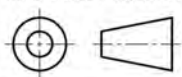
OASIS™ BARRIER-FREE DRINKING FOUNTAIN F140PM



NOTES:

1. STOP VALVE NOT FURNISHED.
- *2. RECOMMENDED ADULT HEIGHT INSTALLATION SHOWN. ADJUST VERTICAL DIMENSIONS AS REQ'D TO COMPLY WITH FEDERAL, STATE, AND LOCAL CODES.
3. ALL DIMENSIONS ARE IN INCHES. DIMENSIONS IN BRACKETS [] ARE IN MILLIMETERS.
4. THE FOLLOWING STATES REQUIRE A LICENSED PLUMBER TO INSTALL FOUNTAIN; AR, GA, MA, MI, OK, RI, SC, SD, TX, VT AND WI. CA, KS, MN, NM, AND OR ALLOW FOR A STATE REGISTERED INSTALLER OR CONTRACTOR AS WELL. STATE AND LOCAL PLUMBING CODES MAY PROHIBIT THE USE OF SADDLE TAPPING VALVES FOR WATER LINE CONNECTION IN SOME APPLICATIONS. ALL CONNECTIONS MUST CONFORM TO APPLICABLE PLUMBING CODES.

THIRD ANGLE PROJECTION



ROUGHING-IN
AND
DIMENSIONAL DRAWING