



# Water Coolers



## BRACKET MOUNTED DRINKING FOUNTAIN

### F120

#### Suggested Specification

Model F120 is a non-refrigerated stainless steel drinking fountain for direct connection to a cold water supply or for use with remote water chillers. Basin shall be brushed stainless steel. Shall be listed by Underwriter's Laboratories to U.S and Canadian standards and conform to European Union Directives.

#### Models

F120 is a non-refrigerated stainless steel drinking fountain for direct connection to a cold water supply or for use with remote water chillers.

#### Standard Features

- > Waterways are Lead-Free in Materials & Construction
- > Dial-A-Drink® Bubbler
- > Stainless Steel Basin
- > Chrome-Plated Brass Strainer and Tailpiece
- > Satin Finish Stainless Steel
- > Limited 1-Year Warranty

#### Finishes

- > Standard Basin Finish: Stainless Steel

#### Installation

- > Prior to roughing-in, consult local, state and federal codes for proper mounting height.
- > Shipped with complete instructions and wall mounting bracket.



Components in this fountain are lead free as required by the Safe Drinking Water Act Amendments of 1986, and the Lead Contamination Control Act of 1988.

**Limited 1-Year Warranty** (Continental limits of the United States and Canada): One year from date of installation on parts only.

**Export Warranty:** One year on component parts.

Models covered by this specification comply with all known Plumbing Codes. Listed by Underwriters' Laboratories to U.S. and Canadian standards and conform to European Union Directives.

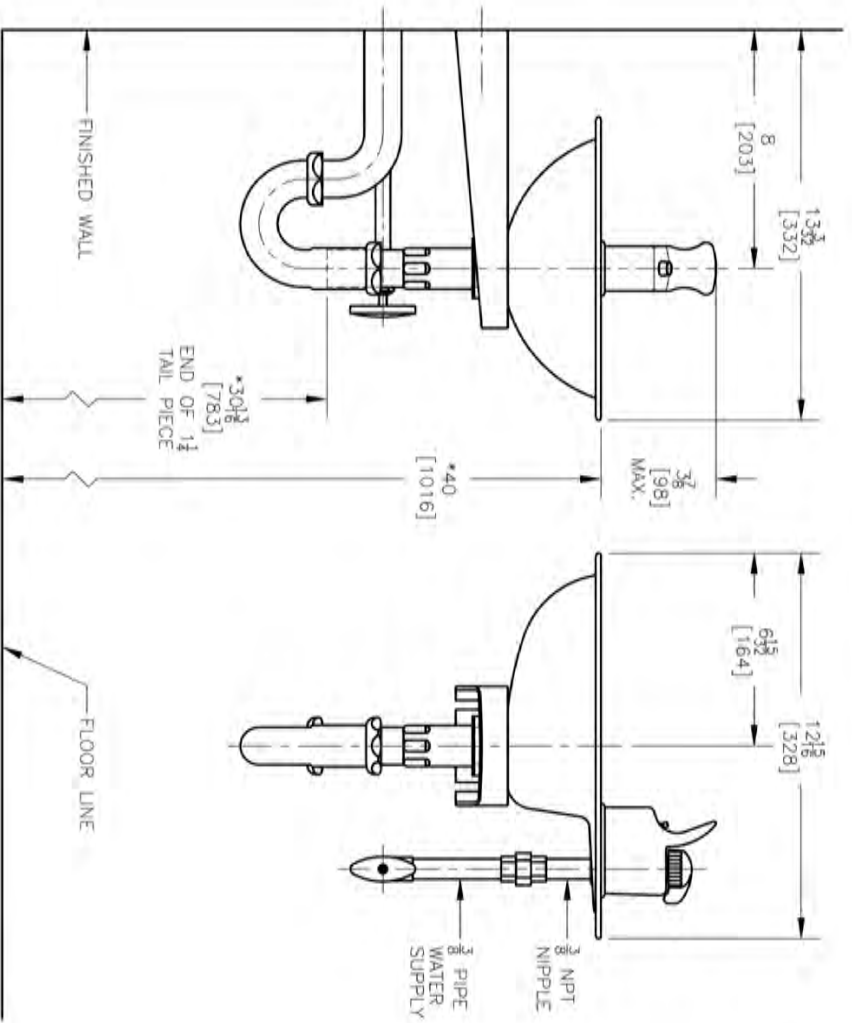


Certified to NSF/ANSI 61/Section 9

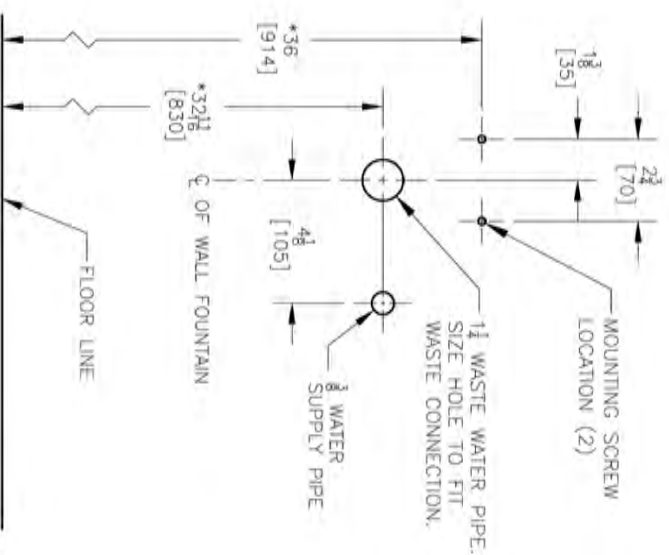
Physical Dimensions In Inches						
Model	Style	Height	Width	Depth	Extended From Wall	Net Weight Approx.
F120	Bracket Mounted	9 3/16"	13"	13 3/32"	13 3/32"	6 lbs.

OASIS™ BRACKET MOUNTED ON-A-WALL DRINKING FOUNTAIN MODEL F120

DIMENSIONAL DRAWING



ROUGHING-IN DRAWING



NOTES:

1. TRAP, FIXTURE STOP VALVE, 3/8" WATER SUPPLY PIPES, AND UNION NOT FURNISHED WITH DRINKING FOUNTAIN.
2. RECOMMENDED ADULT HEIGHT INSTALLATION SHOWN. ADJUST VERTICAL DIMENSIONS AS REQUIRED TO COMPLY WITH FEDERAL, STATE AND LOCAL CODES.
3. ALL DIMENSIONS ARE IN INCHES. DIMENSIONS IN BRACKETS [ ] ARE IN MILLIMETERS.
4. THE FOLLOWING STATES REQUIRE A LICENSED PLUMBER TO INSTALL FOUNTAIN: AR, GA, MA, MI, OK, RI, SC, SD, TX, VT AND WI. CA, KS, MN, NM, AND OR ALLOW FOR A STATE REGISTERED INSTALLER OR CONTRACTOR AS WELL. STATE AND LOCAL PLUMBING CODES MAY PROHIBIT THE USE OF SADDLE TAPPING VALVES FOR WATER LINE CONNECTION IN SOME APPLICATIONS. ALL CONNECTIONS MUST CONFORM TO APPLICABLE PLUMBING CODES.



ROUGHING-IN AND DIMENSIONAL DRAWING